

FIG.1

FIG.2

FIG.3

FIG.4

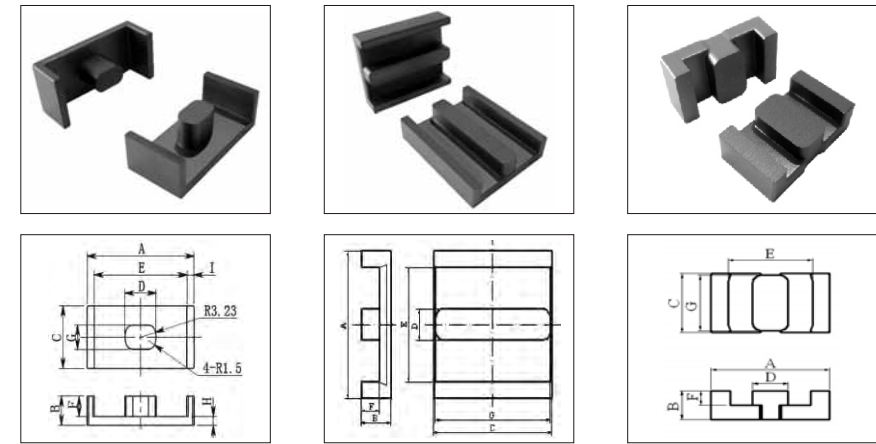


FIG.5

FIG.6

FIG.7

ED 型 / ED Core

型号 TYPE	图例 FIG.	尺寸 Dimensions (mm)								
		A	B	C	D	E	F	G	H	I
ED12.7/10.5/25.3	1	12.7+0.4/-0.2	5.25±0.15	25.30±0.40	3.00±0.15	9.60±0.25	3.55±0.15	22.00±0.30	1.70±0.15	20.20±0.30
ED12.8/10.2/25.3	1	12.80±0.30	5.10±0.15	25.30±0.40	3.00±0.15	9.60±0.25		22.00±0.30	1.70±0.15	20.20±0.30
ED12.8/10.4/25.3	1	12.80±0.30	5.20±0.10	25.30±0.40	3.00±0.15	9.60±0.25		22.00±0.30	1.70±0.15	20.20±0.30
ED13.3/9.4/28	1	13.30±0.30	4.70±0.15	28.00±0.40	3.30±0.15	10.10±0.25	3.00±0.15	25.90±0.40	1.70±0.15	22.60±0.30
ED13.6/10.5/25.3A	1	13.60±0.30	5.25±0.15	25.30±0.40	3.00±0.15	10.4+0.2/-0.3	3.55±0.15	22.00±0.30	1.70±0.15	20.20±0.30
ED16.4/11.4/6	2	16.40±0.30	5.70±0.10	6.00±0.25	4.60±0.15	12.20±0.30	3.70±0.12			
ED16.7/12.6/10.2	3	16.70±0.30	6.30±0.10	10.20±0.25	5.00±0.15	12.60±0.30	4.30±0.15	9.40±0.20		
ED17/12.9/12	4	17.00±0.30	6.45±0.10	12.00±0.30	5.20±0.20	13.4+0.5/-0	4.5+0.3/-0	1.68±0.25	1.80±0.10	11min
ED18/7/17.3	3	18.00±0.20	3.52±0.10	17.30±0.20	5.40±0.10	14.40±0.20	1.92±0.15	9.60±0.15		
ED18.3/13.4/11.2	3	18.30±0.30	6.70±0.10	11.20±0.25	5.40±0.15	13.80±0.30	4.60±0.12	10.70±0.20		
ED22.2/14/10.8	5	22.20±0.60	7.00±0.10	10.80±0.20	6.45±0.15	18.90min	5.50±0.15	4.15±0.15		
ED25/14/30	6	25.4+0/-0.6	6.90±0.12	29.75+0.7/-0	5.15+0.1/-0.2	20.4+0/-0.6	4.40±0.15	28.75+0.6/-0		1.4min
ED26/10/25E	6	25.70±0.35	5.40±0.10	25.35±0.35	6.50±0.20	19.50+0.35	3.1+0.15/-0.1	24.35±0.35		
ED25.8/15/15.1	7	25.80±0.30	7.50±0.10	15+0.3/-0.15	7.75+0.23/-0.15	18.30±0.30	3.95±0.15	14.1+0.2/-0.15		
ED25.7/14/30.1	6	26+0/-0.6	6.9+0.2/-0	29.75+0.6/-0	5.15±0.20	21.00+0/-0.6	4.40+0.2/-0.1	28.75+0.6/-0		
ED26/13/30C	6	26+0/-0.6	6.90±0.12	29.75+0.7/-0	5.15±0.20	21.00+0/-0.6	4.40±0.15	28.75+0.6/-0		
ED26/17/25B	6	26+0/-0.7	8.70±0.20	25.00+0.7/-0	6.50±0.20	19.8+0/-0.6	5.60±0.20	24.00+0.7/-0		

C1	Ae	Le	Amin	Ve	AL(±25%)				重量 g / PRS
					TP4	TP4A	TP4W	TPW33	
0.34	75.24	25.80	64.01	1941.30	4700	4700	5150	5500	10.20
0.33	75.37	25.21	64.01	1900.10	4900	4950	5222	6400	9.80
0.36	72.42	26.24	64.01	1899.90	4850	4900	5108	5380	10.30
0.27	89.24	23.93	83.13	2135.43	6000	6000	6975	7330	10.50
0.35	74.64	26.32	64.07	1964.78	5100	5150			10.34
1.11	25.58	28.45	23.06	727.80	1500	1550	1750	1850	3.60
0.78	41.38	32.07	40.80	1327.10	2450	2500	2900	3070	6.70
0.79	41.39	32.83	36.84	1358.90	2600	2700			7.00
0.43	52.28	22.52	45.25	1177.30	3900	4000	4528	4750	6.80
0.66	51.41	33.73	48.72	1734.10	2850	2900	3360	3650	8.61
1.43	28.02	39.99	24.24	1120.50	1350	1400	1500	1600	6.43
0.27	149.85	40.60	148.09	6083.90	7550	7600	9060	9650	30.20
0.26	128.85	34.02	115.09	4383.90	6650	6750	7910	8650	27.60
0.34	110.60	37.78	106.64	4178.49	5720	5890	6840	7270	10.35
0.27	151.24	41.46	148.75	6270.00	7470	7600	8980	9560	30.95
0.28	146.10	40.46	145.00	5910.40	7450	7600	8950	9500	30.95
0.29	152.65	44.82	149.75	6841.00	7350	7400	8570	9150	35.50

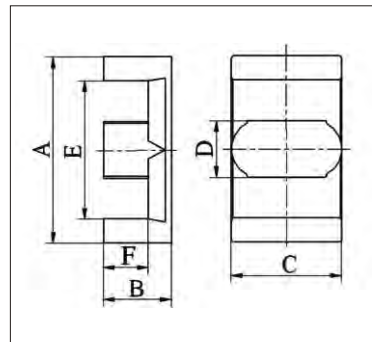
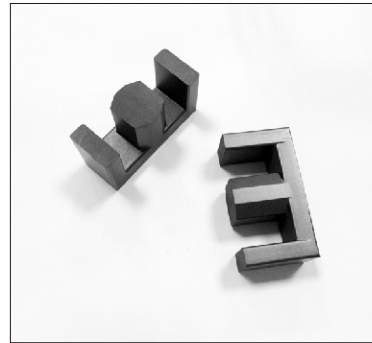


FIG.2

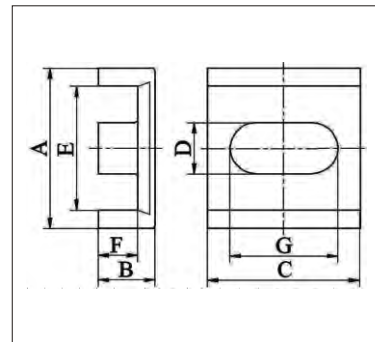


FIG.3

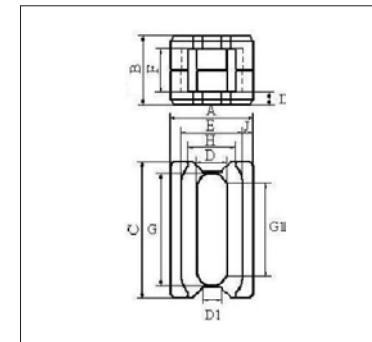
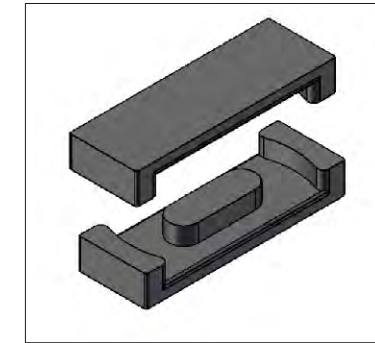
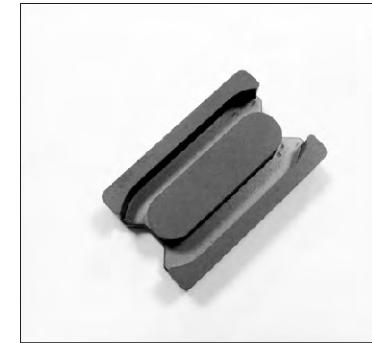


FIG.8

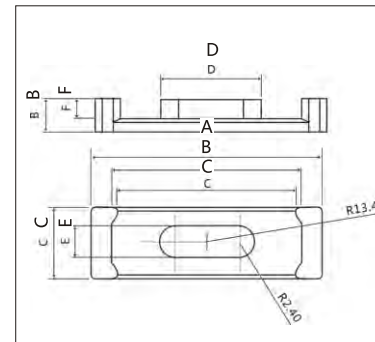


FIG.9

ED 型 / ED Core

型号 TYPE	图例 FIG.	尺寸 Dimensions (mm)						
		A	B	C	D	E	F	G
ED28/20/30B	3	28.40±0.50	9.70±0.10	30.00±0.35	9.10±0.15	22.00±0.50	6.70±0.10	22.30±0.30
ED29/30/12C	2	29.30±0.50	14.60±0.30	11.60±0.30	8.40±0.30	21.5min	11.90±0.30	
ED29.6/23/47C	8	29.60±0.50		47.00±0.70	11.00±0.30	22.00±0.50		3.85±0.20
ED32/11/20	2	31.75±0.64	5.40±0.10	20.32±0.41	6.35±0.20	24.9min	2.85±0.20	
ED32.5/10/11	9	32.50±0.50	5.00±0.20	11.00±0.20	14.10±0.20	26.80±0.50	2.9+0.2/-0.1	4.80±0.20
ED41/18/22B	2	40.8+0.6/-0.4	9.85±0.20	21.85±0.25	11.00±0.30	31.00±0.50	6.40±0.25	
ED52.9/16/17	2	52.85±0.45	8.00±0.15	17.00±0.25	6.40±0.20	46.7min	5.00±0.15	2.85±0.20

C1	Ae	Le	Amin	Ve	AL(±25%)				重量 g /PRS
					TP4	TP4A	TP4W	TPW33	
0.28	184.95	52.25	180	9663.30	7000	7050	9000	9500	48.13
	82.30			5789.20	2400	2450			31.22
0.17	371.84	64.84	357.2	24110.10	12980	13100	15600	17500	111.89
0.36	110.17	39.57	103.63	4359.40	5400	5450	6450	6870	25.00
0.72	51.93	37.48	45.10	1946.20	2450	2500	3000	3500	11.40
0.30	191.99	58.16	172.43	111666.88	6750	6800	8230	8800	54.50
0.65	106.94	69.70	96.90	7454.11	3300	3350	1030	4350	35.20